

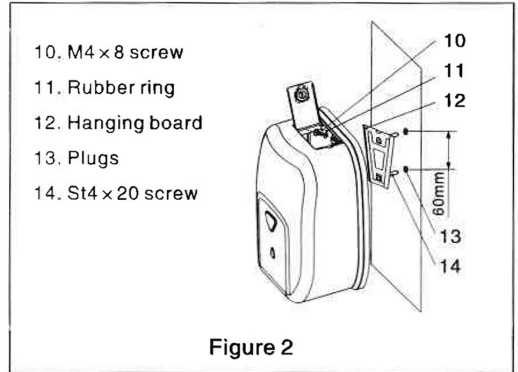
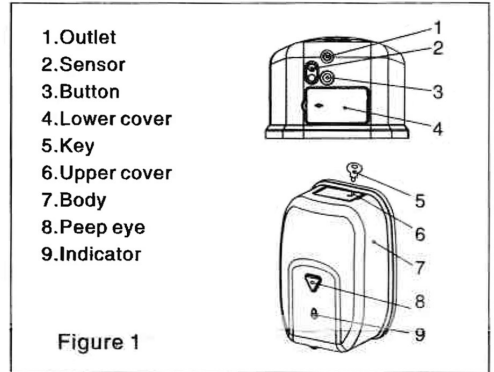
SOAP DISPENSER USER MANUAL

Thank you for purchasing this soap dispenser, which is made of type304 stainless steel. It is strong and durable. this dispenser is controlled by CPU, and has good anti-interference ability. It is battery-powered, and uses low power, which can ensure that it can be used for a long time. with infrared sensor, it dispenses soap automatically that can avoid hand touch and prevent cross infection.

◆◆ Features:

- ◆ Stainless steel body, strong and durable.
- ◆ One drop per induction with constant volume.
- ◆ The upper door and lower door have locks, which can prevent the dispenser from not only being stolen but also being blocked its outlet.

◆◆ Parts:

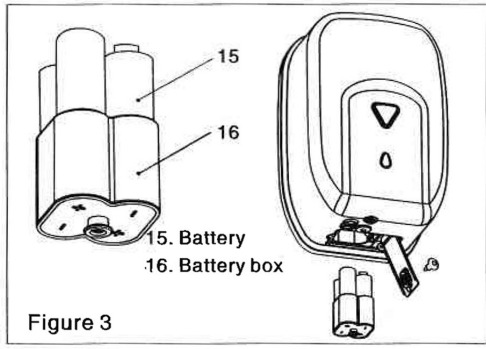


◆◆ Installation

- 1.Unlock and open the upper cover ⑥ by the key ⑤ attached as shown in(Figure1).
- 2.Drill 2 holes of 6mm diameter as shown in (Figure2), and fix the hanging board ⑫ on the wall with the plugs ⑬ and ST4 x 20 screws ⑭ attached.
- 3.Hang the dispenser on the board, and fix it with the M4 x 8 screws ⑩ attached.

◆ **Battery Installation:**

- 1.Unlock and open the lower cover ④ by the key ⑤, pinch the button of battery cover, and bring out the battery box ⑯ as shown in (Figure3).
- 2.Install 4 pieces of LR6 batteries into the box follow "+"-"pole, put the battery back, and close the lower cover.



◆ **Soap Refill:**

Unlock and open the upper cover ⑥, refill the body ⑦, and close the cover.

◆> Application

1. After installing the batteries, the indicator ⑨ will flash. Press the button ③, the indicator will be off, and the dispenser will be "stand by". the dispenser will be power-off when press and hold the button for ≥ 2 seconds.
2. First time to use, make it dispense several times to exhaust the air in the pump
3. When need soap, place the hands 0–8mm under the soap outlet, the dispenser will dispense automatically. It dispenses 1ml soap each time.
4. When the batteries are in low power, the indicator will flash; when the dispenser stops working, need to change the batteries.

◆> Specifications:

Voltage: 4 × 1.5V LR6

Capacity: 1200ml

Induction range: approximately 8cm

Drop volume: 1ml per time

◆> Notes

1. For avoiding improper operation, leave at least 40cm spaces under the dispenser.
2. DO NOT install the dispenser in the places which have strong direct sunlight or above the things which have high reflection
3. Prevent anything from blocking the soap outlet
4. Keep the soap clean without any impurities
5. DO NOT splash the dispenser directly
6. DO NOT use any kind of thinner and chemical liquid which may damage the surface to clean the dispenser.

Package:

One set of soap dispenser

One copy of user manual

One pack of 2pcs of screws, and 2pcs of plugs, 1pc of key.

Hands Free Hygiene

Ph: 1800 039 764

sales@handsfreehygiene.com.au

handsfreehygiene.com.au