

## SENSOR OPERATED

## Mediflow Logic Dry M02A



M02A



M02AB



M02AC



M02ACS

### General description

- Mediflow® Logic Dry hand dryers automatically operated are characterized by their power and ruggedness. They incorporate the technology to automatically regulate the temperature of the outlet air to 4 possible levels depending on the room temperature. Thanks to this device, which is assembled into the LED Electronic Circuit, these dryers enjoy a longer life cycle, while increasing the effectiveness of the hand drying process. Also relevant is the savings in electrical energy consumption of these dryers, which incorporate this very important ecologic feature.
- Mediflow® Logic Dry dryers are made according to the highest quality and safety standards: it includes safety thermal limiters (in the heating element and in the motor) and automatic disconnect system.
- Mediflow® solutions are proven long lasting and completely reliable models. Versatile hand dryers with anti-vandalism features and designed to be installed in areas with a large traffic of people such as: airports, large hotels, sports centers, large recreational areas and official organizations among others.

### Components & materials:

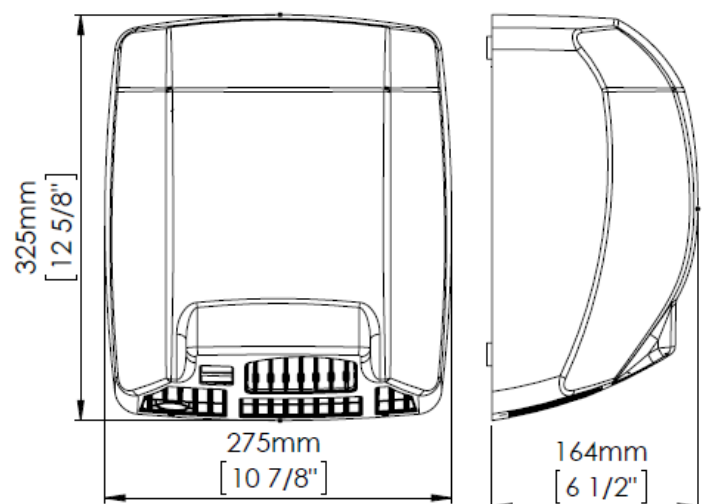
- **M02A:** Steel one-piece cover, white Epoxy painted, 1.5 mm. thick.
- **M02AB:** Steel one-piece cover, black mate Epoxy painted, 1.5 mm. thick.
- **M02AC:** Stainless steel one-piece cover, bright finish, 1.5 mm. thick.
- **M02ACS:** Stainless steel one-piece cover, satin finish, 1.5 mm. thick.
- Fire resistant plastic PA 6 -V0 base and fan scroll, with 4 Ø 8 mm holes for wall mounting. It includes silent-blocks to damp mechanical vibrations.
- Universal brush motor, 4,500 rpm, F class, which includes a safety thermal cut-off.
- Aluminium centrifugal double asymmetrical inlet fan wheel.
- Waved wire NiCr heating element on a mica frame that incorporates a thermal cut-off.
- Automatic regulation of air temperature on ambient temperature.
- Fully adjustable (5-25 cm) IR electronic detection sensor by means of a potentiometer.
- Selective detection of fixed targets and automatic disconnection system after 120 seconds of continuous use.

### Technical Specifications

<b>Voltage</b>	220- 240 V
<b>Frequency</b>	50/60 Hz
<b>Electrical Isolation</b>	Class II
<b>Total power</b>	250 – 2,750 W
<b>Consumption</b>	1.2 - 12A
<b>Motor power</b>	250 W
<b>Rpm</b>	4,500
<b>Heating element power</b>	2,500 W
<b>Dimensions</b>	325x275x164 mm.
<b>Weight</b>	4.25 Kg
<b>Cover thickness</b>	1.5 mm
<b>Drying time</b>	29 sec.
<b>Effective airflow</b>	450 m <sup>3</sup> /h (7,500 L/min)
<b>Air velocity</b>	95 Km/h
<b>Air temperature (10 cm distance/21°C)</b>	50 °C
<b>Sound pressure (*) (at 2m)</b>	65 dBA
<b>Protection rating</b>	IP23

(\*) According to UNE EN ISO 11201:2010 V2 standard.

### Dimensions



Dim. ± 4%

---

## Operation

---

Place the hands under the air outlet. The dryer will start automatically, and go on with no interruption as long as the hands are kept in the detection range of the sensor. The appliance will stop 2 seconds after the hands are removed from the airflow or after 120 seconds of continuous use.

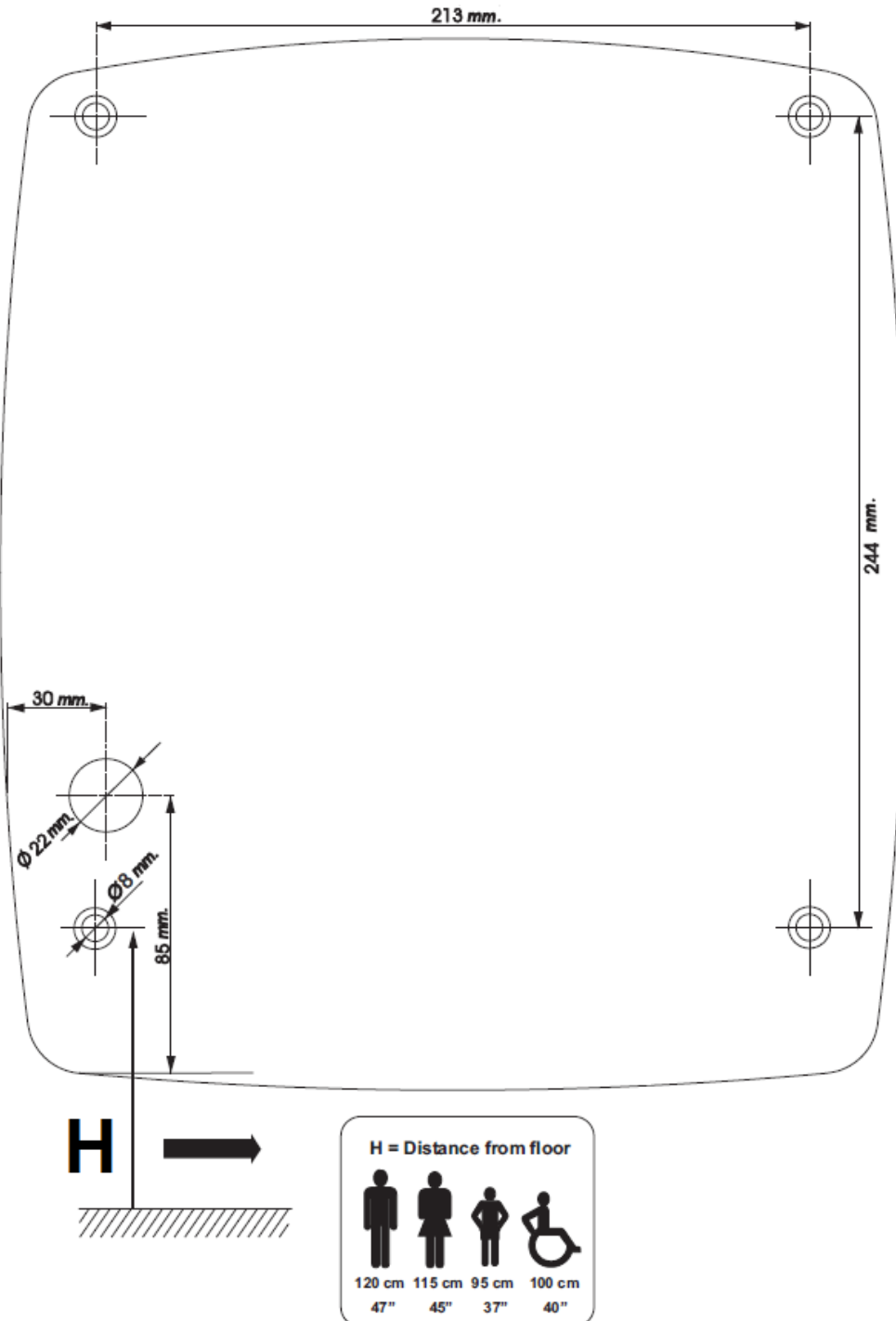
---

## Mounting

---

### Recommended heights distance from the floor

---



---

## Certificates & Qualifications

---



Hands Free Hygiene

P: 1800 782 088 | sales@handsfreehygiene.com.au

Handsfreehygiene.com.au

