

SMART COMMAND Concentrator

Intelligent Bathroom system integration
with existing BMS or Cloud Based
Management System



SMART COMMAND Concentrator (MQTT - BACnet IP)



- THE CONCENTRATOR IS A MQTT / BACNET INTERFACE FOR THRID PARTY BMS SYSTEMS.
- CONSOLIDATES DATA FROM MULTIPLE GATEWAYS TO PROVIDE A SINGLE ACCESS POINT.
- CONVERTS MQTT MESSAGES INTO NATIVE BACNET IP.
- BUILT IN, UPGRADABLE FIRMWARE FOR CONFIGURATION OF CONCENTRATOR
- ONE CONTENTRATOR PER BMS SYSTEM IS REQUIRED TO WORK WITH ALL LINKED FIXTURES AND GATEWAYS
- COMPLETE WITH POWER SUPPLY AND MOUNTING HARDWARE

Part Number

410101

Caroma Smart Command
Concentrator MQTT -
BACNet

Electronics:	Supply voltage to the system is 240V AC 50Hz. Operating current 5 volts DC.
Installation:	VESA, DIN-Rail, Side/Wall Mounting. RJ45 Ethernet Cabling
Dimensions:	All dimensions are in millimetres and are subject to normal manufacturing tolerances. Caroma pursues a policy of continuing improvement in design and performance of its products. The right is therefore reserved to vary specifications without notice.

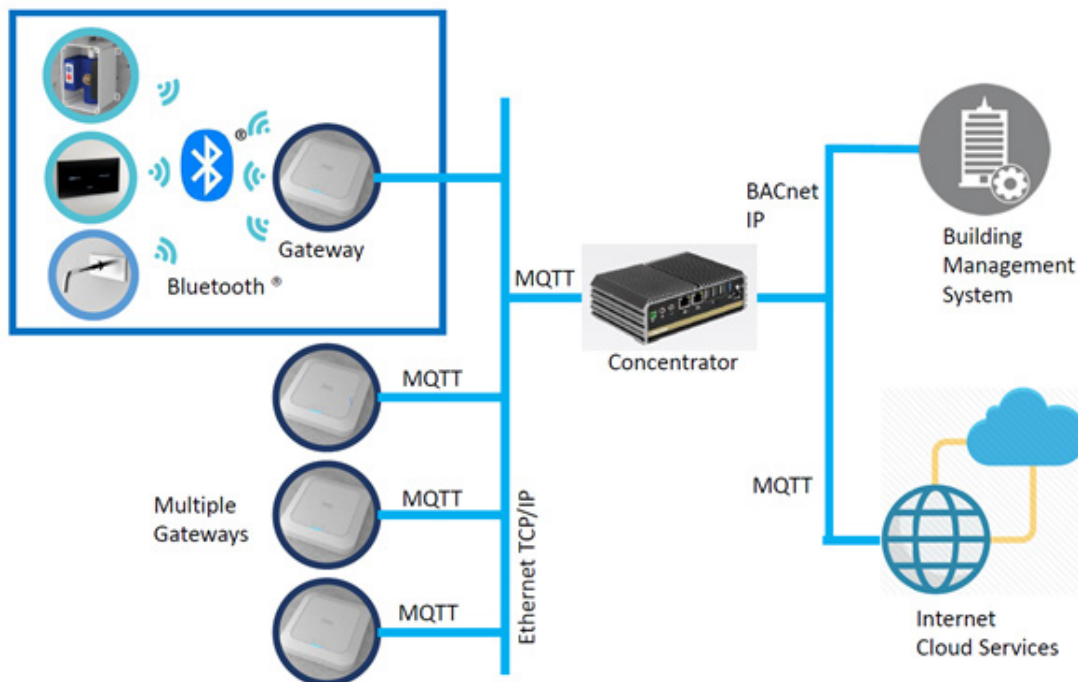


Figure 1: Smart Command - System View

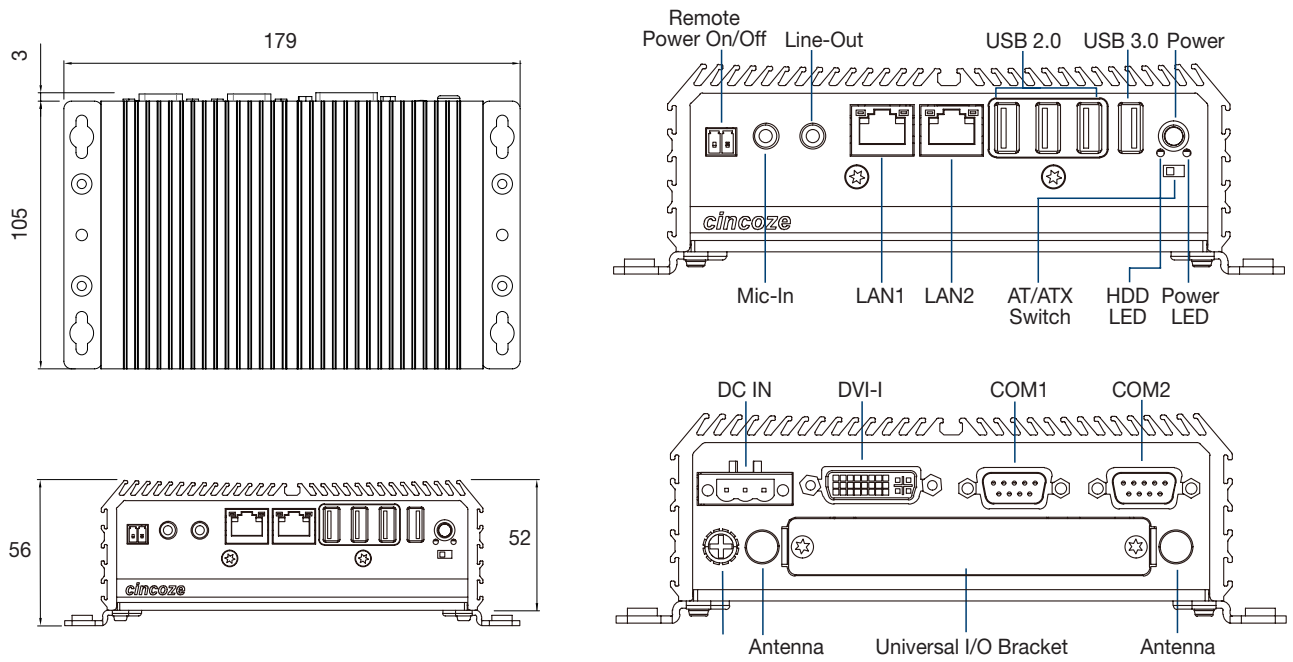


Figure 2: Product Assembly

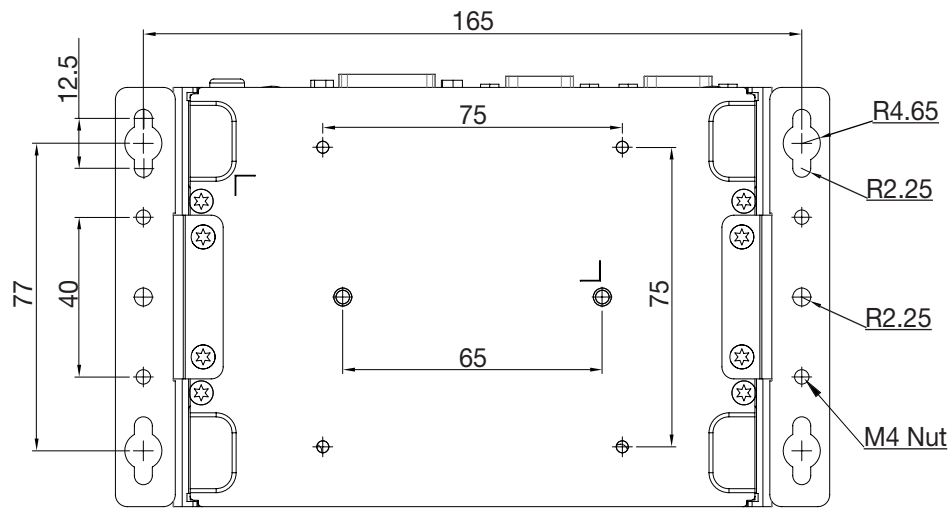


Figure 3: Wall mounting specifications

Processor	On-board Intel Atom
Memory	8G
OS	Customised Debian Linux distribution.
Protocols	MQTT, BACnet IP
Concentrator Dimensions	H: 56mm x L: 150mm x D: 105mm
Concentrator Weight	0.86 kg
Power Requirements	9-48V DC: 240VAC Power Adaptor Supplied
Power Adaptor	12V/5A 60W
Ambient Temperature	-25°C ~ 70°C
LAN Ports	Dual Intel I210-AT GbE
USB Ports	1 x USB 3.0 & 3 x USB 2.0 (Type-A)
RS Ports	2 x RS-232/422/485 with Auto Flow Control, D89
EMC Compliance	EN 301 489-1 V2.1.1, EN 300 328 V2.1.1, EN623111, EN62368-1: 2014, AS/NZS CISPR 32:2015 (ITE Class B)
Electrical Safety Compliance	IEC 60950-1, UL 60950-1, CSA C22.2 60950-1
Complies with EC Directives	RoHS2 Directive 2011/65/EU, Waste Electrical and Electronic Equipment (WEEE) Directive 2002/96/EC, Registration, Evaluation, Authorisation and Restriction of Chemicals (REACH) Directive, Conflict Minerals Directive
Packaging	Dimensions: H: 160 mm x L: 200 mm x D: 100 mm Weight: 1 kg Quantity: 1